

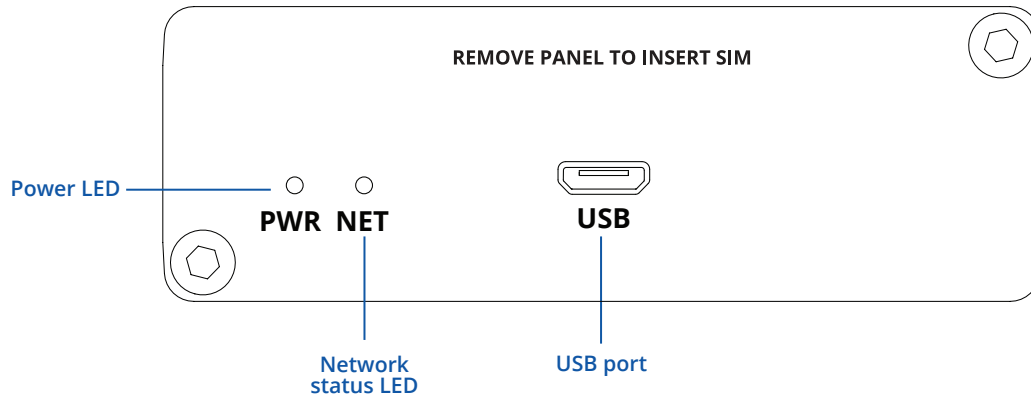


# TRM250

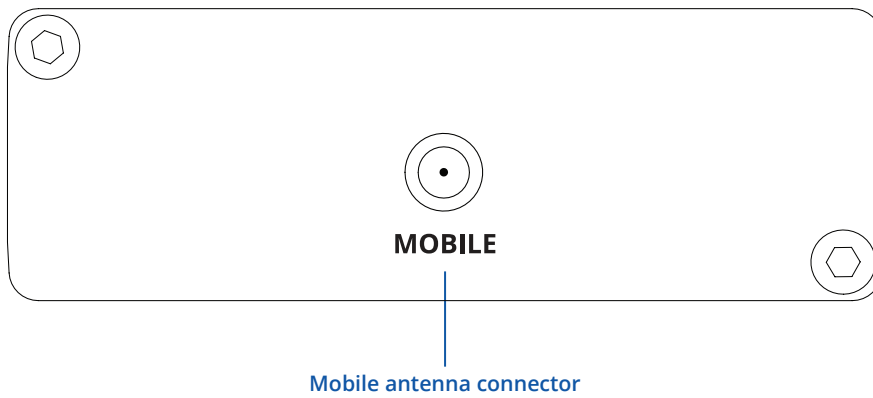


# HARDWARE

## FRONT VIEW



## BACK VIEW



## FEATURES

### HARDWARE

|                           |                               |
|---------------------------|-------------------------------|
| Mobile                    | LTE (Cat-M1) / NB-IoT / EGPRS |
| SIM slot                  | Mini SIM (2FF)                |
| Antenna connector         | 1 x SMA                       |
| Operating Voltage         | 5 V - powered via microUSB    |
| Power consumption         | 3.6 W Max                     |
| Configuration interface   | microUSB                      |
| LED indicators            | Power and Network status LEDs |
| Operating temperature     | -40 °C to 75 °C               |
| Operating humidity        | 10 % to 90 % non-condensing   |
| Casing material           | Aluminium housing             |
| Ingress Protection Rating | IP30                          |
| Dimensions (W x H x D)    | 74.5 x 25 x 64.5 mm           |
| Weight                    | 130 g                         |

### SOFTWARE

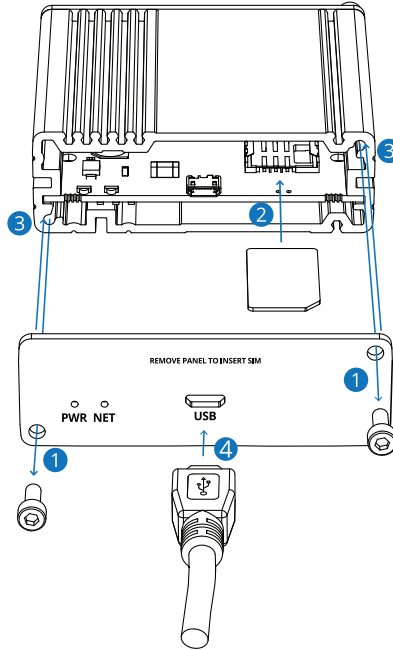
|                       |                                                                               |
|-----------------------|-------------------------------------------------------------------------------|
| Management software   | Windows Connection Manager (NDIS driver)                                      |
| USB Serial Driver     | Windows 7/8/8.1/10,<br>Linux 2.6/3.x/4.1~4.14,<br>Android 4.x/5.x/6.x/7.x/8.x |
| RIL Driver            | Android 4.x/5.x/6.x/7.x/8.x                                                   |
| NDIS Driver           | Windows 7/8/8.1/10                                                            |
| Gobinet Driver        | Linux 2.6/3.x/4.1~4.14                                                        |
| Linux qmi wwan Driver | 3.x (3.4 and later)/4.1~4.14                                                  |
| Protocols             | TCP/UDP/PPP/FTP(S)/HTTP(S)/NTP/PING/QMI/SSL                                   |

### INTERFACES

|                      |                                                                                            |
|----------------------|--------------------------------------------------------------------------------------------|
| Management interface | AT Commands (3GPP TS27.007, 3GPP TS27.005)<br>Hayes AT Command set<br>Enhanced AT Commands |
|----------------------|--------------------------------------------------------------------------------------------|

## HARDWARE INSTALLATION

1. Unscrew two back panel hex bolts and remove the back panel.
2. Insert your SIM card into the SIM socket.
3. Attach the panel and tighten the hex bolts.
4. Attach the mobile antenna (max torque 0.4 N·m / 3.5 lbf·in) and connect the USB cable.



### LOGIN TO DEVICE

1. Power on the device by connecting the USB cable to your computer.
2. Allow the modem to boot up. This might take up to 30 seconds.
3. Install the correct drivers according to the system you are using. You can download the drivers by following DRIVER DOWNLOAD link below.
4. After you have installed the drivers, visit our configuration information page by following CONFIGURATION link.
5. For advanced users you can find all the information about AT commands by following AT COMMANDS link.



#### DRIVER DOWNLOAD

[https://wiki.teltonika.lt/view/TRM250\\_Downloads](https://wiki.teltonika.lt/view/TRM250_Downloads)



#### CONFIGURATION

[https://wiki.teltonika.lt/view/TRM250\\_Configuration\\_Examples](https://wiki.teltonika.lt/view/TRM250_Configuration_Examples)



#### AT COMMANDS

[https://wiki.teltonika.lt/view/TRM250\\_AT\\_Commands](https://wiki.teltonika.lt/view/TRM250_AT_Commands)

### TECHNICAL INFORMATION

| Radio specifications                |                                                                                        |
|-------------------------------------|----------------------------------------------------------------------------------------|
| RF technologies                     | EGPRS, NB-IoT, LTE (Cat-M1)                                                            |
| Max RF power                        | 33 dBm@GSM, 24 dBm@WCDMA, 23 dBm@LTE                                                   |
| Bundled accessories specifications* |                                                                                        |
| Mobile antenna                      | 698~960/1710~2690 MHz, 50 Ω, VSWR<3, gain** 3 dBi, omnidirectional, SMA male connector |

\*Order code dependent.

\*\*Higher gain antenna can be connected to compensate for cable attenuation when a cable is used. The user is responsible for the compliance with the legal regulations.

## WHAT'S IN THE BOX?

### STANDARD PACKAGE CONTAINS

- TRM250
- 1 x Mobile antenna (swivel, SMA male)
- Micro-USB cable (0.8 m)
- 1 x hex key
- QSG (Quick Start Guide)
- Packaging box



TRM250



1 X MOBILE ANTENNA (SWIVEL, SMA MALE)



MICRO-USB CABLE (0.8 M)



1 X HEX KEY

## STANDARD ORDER CODES

### PRODUCT CODE

TRM250000000

### PACKAGE CONTAINS

Standard Package

For more information on all available packaging options – please contact us directly.

## AVAILABLE VERSIONS

### PRODUCT CODE

### REGION (OPERATOR)

### FREQUENCY

TRM250 0\*\*\*\*\*

Global

- 4G (LTE-FDD): B1, B2, B3, B4, B5, B8, B12, B13, B18, B19, B20, B28
- 4G (LTE-TDD): B39 (For Cat M1 only)
- 2G (EGPRS): 850, 900, 1800, 1900 MHz

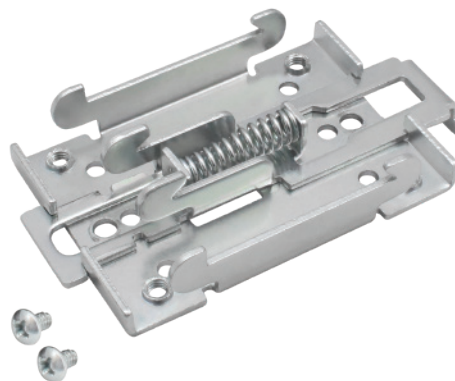
The price and lead-times for region (operator) specific versions may vary. For more information please contact us.

\* - Versions for other regions are under development.

## MOUNTING OPTIONS

### DIN RAIL KIT

| Parameter         | Value                                   |
|-------------------|-----------------------------------------|
| Mounting standard | 35mm DIN Rail                           |
| Material          | Low carbon steel                        |
| Weight            | 57g                                     |
| Screws included   | Philips Pan Head screw #6-32×3/16, 2pcs |
| Dimensions        | 82 mm x 46 mm x 20 mm                   |
| RoHS Compliant    | V                                       |



### DIN RAIL KIT

- DIN Rail adapter
- Philips Pan Head screw #6-32×3/16, 2pcs for RUT2xx/RUT9xx

### ORDER CODE

PR5MEC00

### HS CODE

73269098

### HTS CODE

7326.90.98

For more information on all available packaging options – please contact us directly.

### COMPACT DIN RAIL KIT

| Parameter         | Value                                   |
|-------------------|-----------------------------------------|
| Mounting standard | 35mm DIN Rail                           |
| Material          | ABS + PC plastic                        |
| Weight            | 6.5 g                                   |
| Screws included   | Philips Pan Head screw #6-32×3/16, 2pcs |
| Dimensions        | 70 mm x 25 mm x 14,5 mm                 |
| RoHS Compliant    | V                                       |



### DIN RAIL KIT

- Compact plastic DIN Rail adapter (70x25x14,5mm)
- Philips Pan Head screw #6-32×3/16, 2pcs

### ORDER CODE

PR5MEC11

### HS CODE

73269098

### HTS CODE

7326.90.98

For more information on all available packaging options – please contact us directly.

### SURFACE MOUNTING KIT

| Parameter         | Value                                   |
|-------------------|-----------------------------------------|
| Mounting standard | Flat surface mount                      |
| Material          | ABS + PC plastic                        |
| Weight            | 2x5 g                                   |
| Screws included   | Philips Pan Head screw #6-32×3/16, 2pcs |
| Dimensions        | 25 mm x 48 mm x 7.5 mm                  |
| RoHS Compliant    | V                                       |



### DIN RAIL KIT

- Surface mounting kit
- Philips Pan Head screw #6-32×3/16, 2pcs

### ORDER CODE

PR5MEC12

### HS CODE

73269098

### HTS CODE

7326.90.98

For more information on all available packaging options – please contact us directly.

# TRM250 SPATIAL MEASUREMENTS & WEIGHT

## MAIN MEASUREMENTS

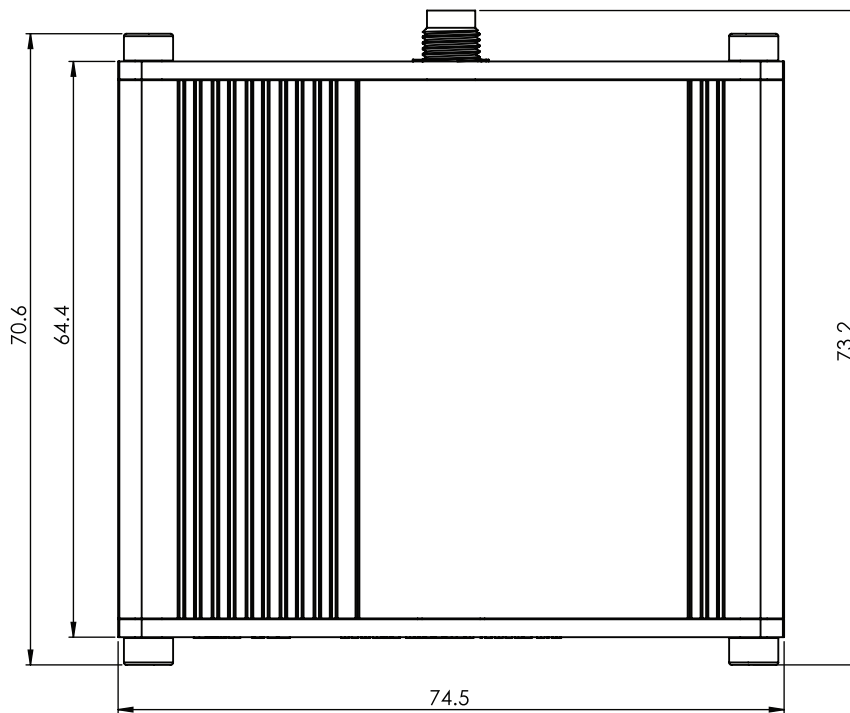
W x H x D dimensions for TRM250:

|                  |                  |
|------------------|------------------|
| Device housing*: | 74.5 x 25 x 64.5 |
| Box:             | 173 x 71 x 148   |

\*Housing measurements are presented without antenna connectors and screws; for measurements of other device elements look to the sections below.

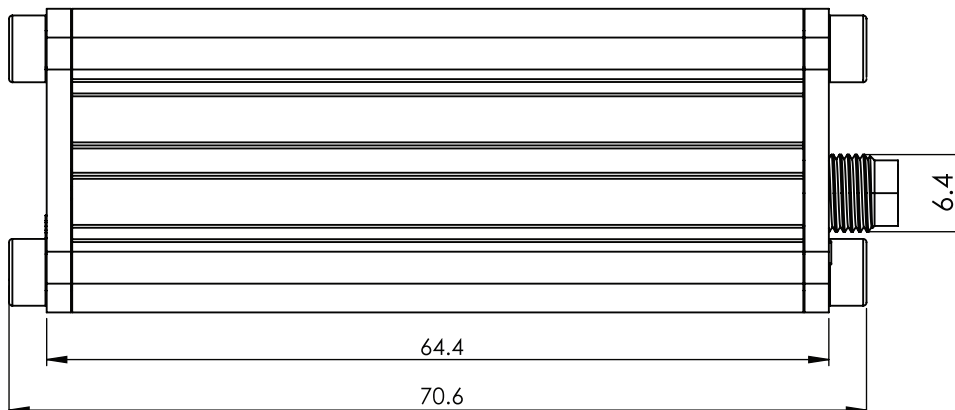
## TOP VIEW

The figure below depicts the measurements of TRM250 and its components as seen from the top:



## RIGHT VIEW

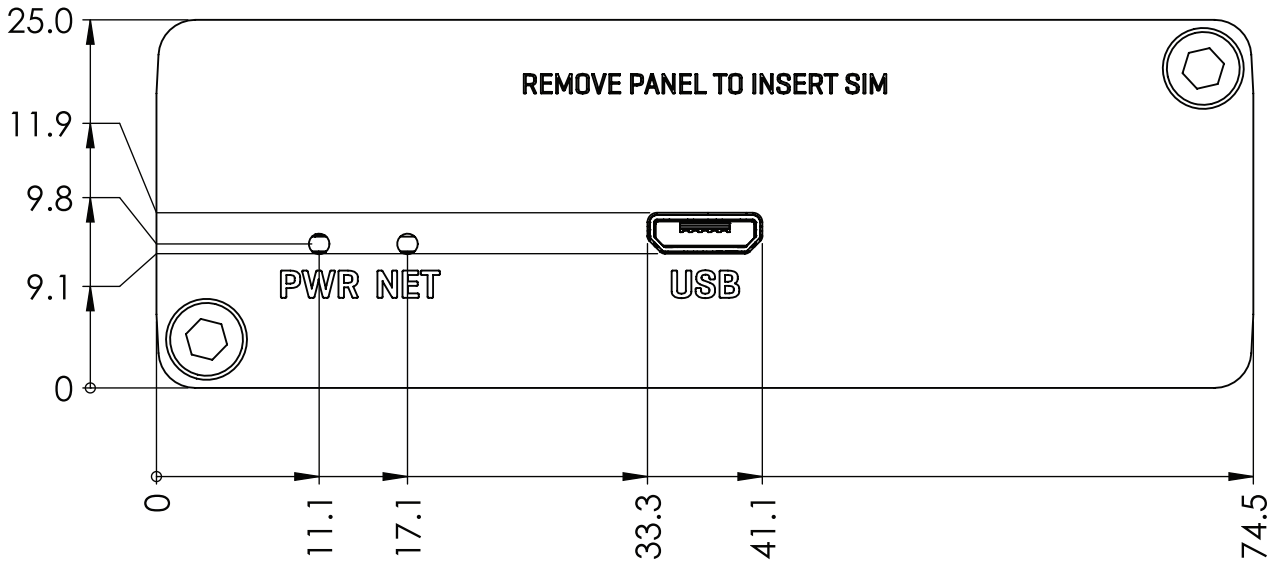
The figure below depicts the measurements of TRM250 and its components as seen from the right side:





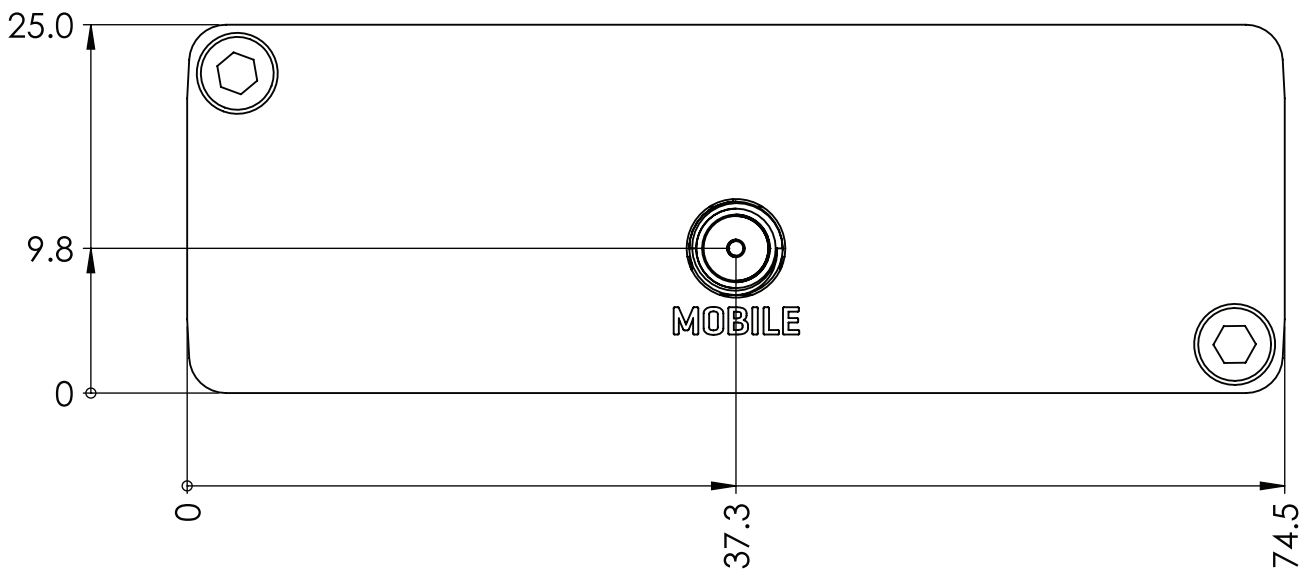
**FRONT VIEW**

The figure below depicts the measurements of TRM250 and its components as seen from the front panel side:



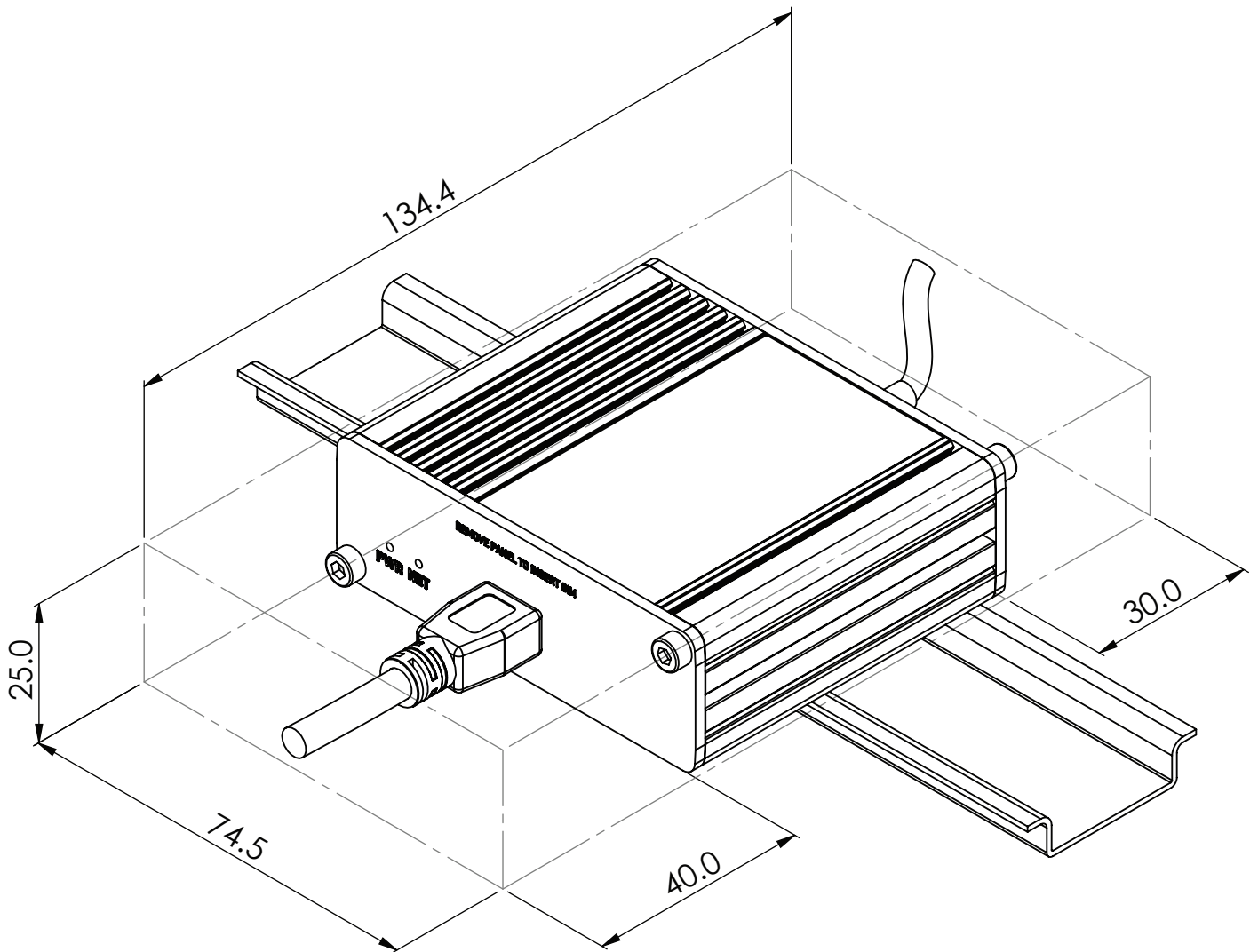
**REAR VIEW**

The figure below depicts the measurements of TRM250 and its components as seen from the back panel side:



**MOUNTING SPACE REQUIREMENTS**

The figure below depicts an approximation of the device's dimensions when cables and antennas are attached:



DIN RAIL

The scheme below depicts protrusion measurements of an attached DIN Rail:

